

Primary lithium battery

LM 22150

3 V Primary lithium manganese dioxide (Li-MnO₂) battery

High power
1/3 Sub C-size spirial cell

For applications requiring excellent voltage response and operating life in -40°C/+70°C environment

Benefits

- High voltage response, stable during most of the life of the application
- Minimal voltage delay after long dormant periods
- Competitive capacity at high current and low temperature
- Easy integration into compact systems
- Low self-discharge rate (less than 2% after 1 year of storage at +20°C)

Key Features

- Hermetic seal construction
- Integrated safety vent
- Non-corrosive electrolyte
- Non-restricted to Class 9

Typical applications

- Measurement equipment
- Industrial applications
- Professional electronics

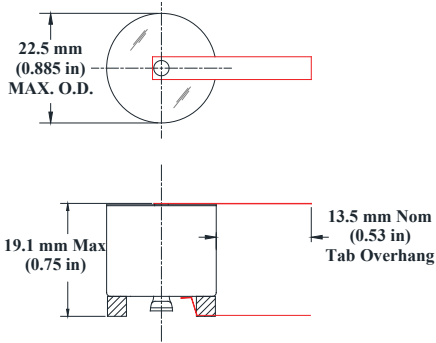


Cell size reference	1/3 sub-C	
Electrical characteristics		
<i>(Typical values relative to cells stored up to one year at +30°C max)</i>		
Nominal capacity at 40 mA to 2 V cut-off At 21°C	830 mAh	
Open circuit voltage (at 20°C)	approx 3.2 V	
Nominal voltage (under 1mA at +20°C)	3.0 V	
Pulse capability	750 mA	
Maximum continuous current <i>(To maintain cell heating within safe limits)</i>	300 mA	
Storage temperature (recommended) <i>(For higher temperature contact Saft)</i>	30°C	
Operating temperature <i>(Operation at colder temperature will result in lower capacity and lower voltage)</i>	-40°C to +71°C	
Physical characteristics		
	Metric	Imperial
Diameter (max)	22.5 mm	0.885 in
Height (max)	19.1 mm	0.75 in
Maximum weight	15 g	0.53 oz
Weight of Li metal content	0.4 g	—
Available termination suffix		
CN, CNR	radial tabs	
FL	flying leads	
<i>(Other cell finishes possible by request)</i>		



SAFT

LM 22150



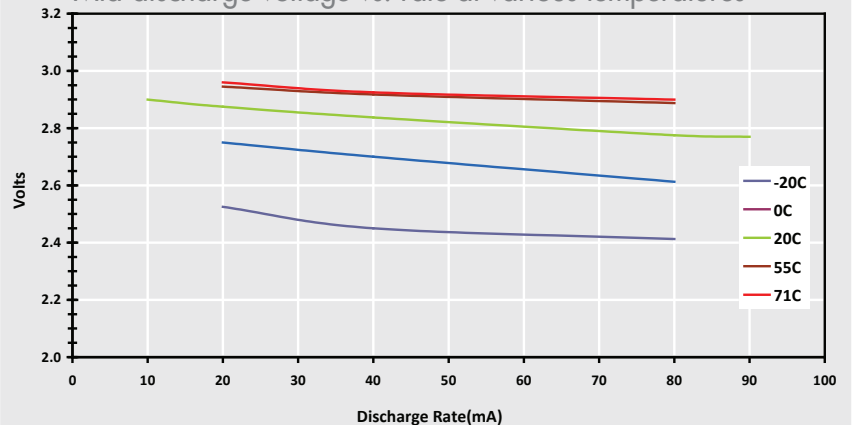
Storage

- Keep storage area clean, cool, dry and ventilated

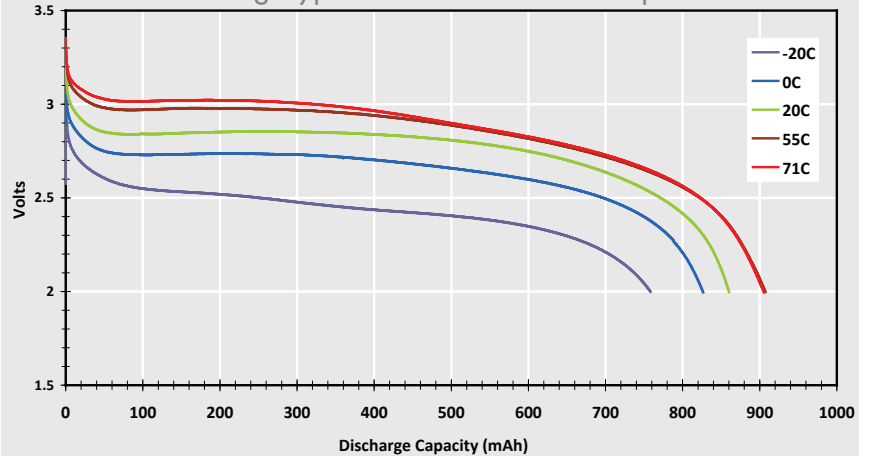
Warning

- Fire, explosion, and burn hazard
- Do not recharge, short circuit, crush, disassemble, heat above 71°C, or incinerate
- Do not solder directly to the cell (use tabbed cell versions instead)

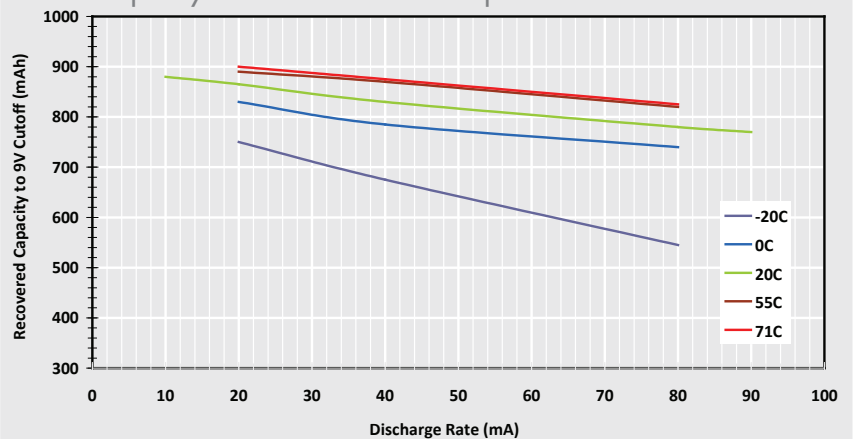
Mid-discharge voltage vs. rate at various temperatures



40 mA discharge typical curves at various temperatures



Capacity vs. rate at various temperatures



Saft

12, rue Sadi Carnot
93170 Bagnolet France
Tel.: +33 (0)1 49 93 19 18
Fax: +33 (0)1 49 93 19 69
www.saftbatteries.com

Saft America, Inc.

313 Crescent St.
Valdese, NC 28690 - USA
Tel.: +1 (828) 874 4111
Fax: +1 (828) 874 3981
www.saftbatteries.com

Doc N° 32040-2-0313
Edition: March 2013
Information in this document is subject to change without notice and becomes contractual only after written confirmation by Saft.
Published by the Communications Department
Photo credit: Saft