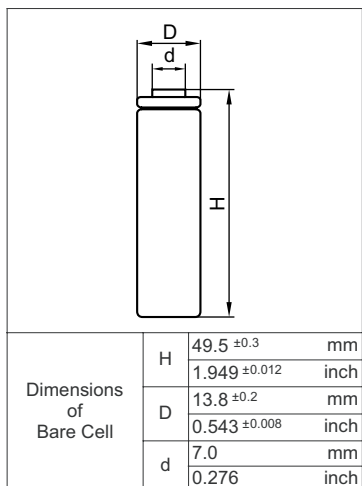


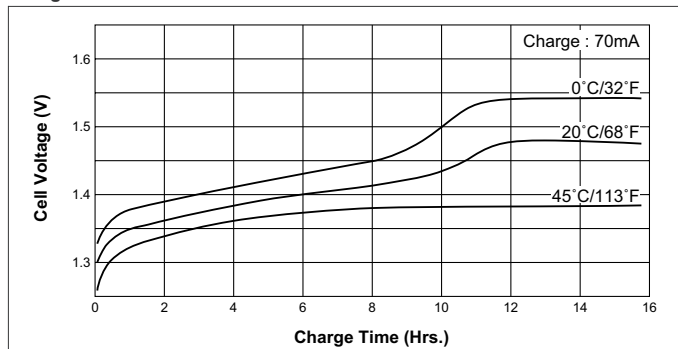
## Cell Type N-700AAC Specifications



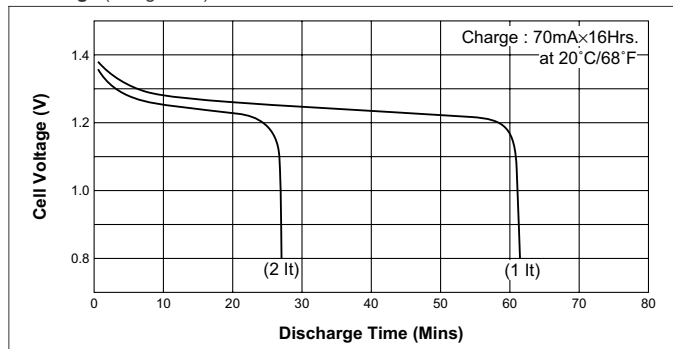
Nominal Capacity		700mAh	
Nominal Voltage		1.2V	
Charging Current	Standard	70mA	
	Quick	210mA	
	Fast	1050mA	
Charging Time	Standard	14 to 16Hrs.	
	Quick	4 to 6Hrs.	
	Fast	about 1Hr.	
Ambient Temperature	Charge	Standard	0°C to +45°C [+32°F to 113°F]
		Quick	10°C to +45°C [+50°F to 113°F]
		Fast	0°C to +45°C [+32°F to 113°F]
	Discharge		-20°C to +60°C [-4°F to 140°F]
	Storage		-30°C to +50°C [-22°F to 122°F]
Internal Impedance (Av.) (at 50% discharge)		16.0mΩ (at 1000Hz)	
Weight		23g/0.81oz	
Dimensions(D)×(H) (with tube)		14.3 <sup>0</sup> <sub>-0.5</sub> × 50.2 <sup>0</sup> <sub>-1</sub> mm	
		0.56 <sup>0</sup> <sub>-0.02</sub> × 1.98 <sup>0</sup> <sub>-0.04</sub> inch	

### Typical Characteristics

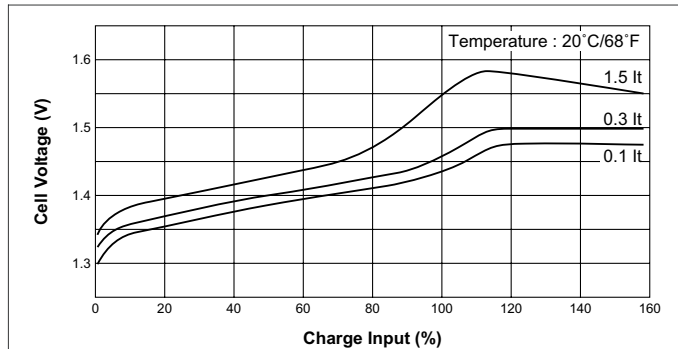
Charge



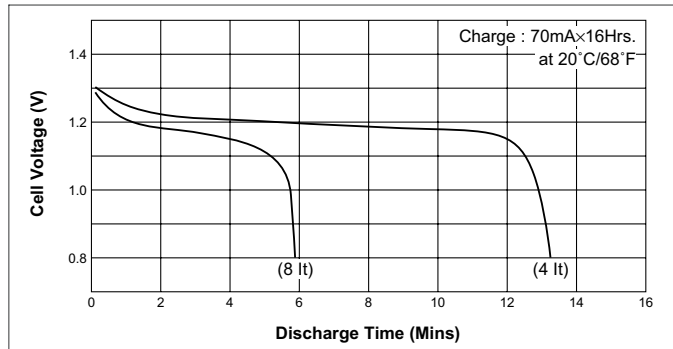
Discharge (at high rate)



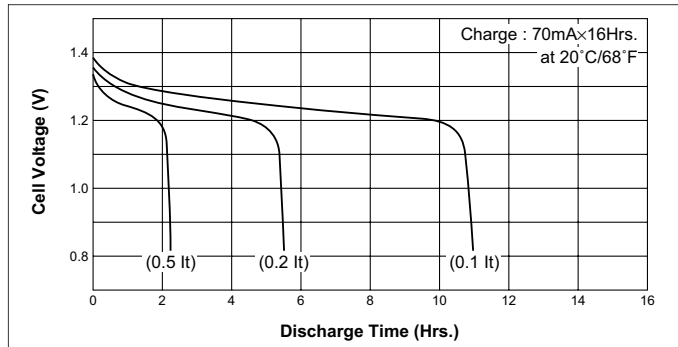
Charge



Discharge (at high rate)



Discharge (at low rate)



Temperature (Charge & Discharge)

