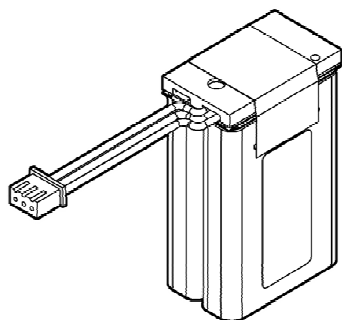


PA-L59.R004



Dimensions

Length	55,5mm	±2mm
Width	22.4mm*	±1mm
Height	34,4mm	±2mm

*swelling of battery at the end of lifetime up to 1mm

Data for Pack

Nominal voltage	7.4V	6V - 8.4V		
Nominal capacity	1950mAh	typical (1850mAh minimum)		
Used cell in pack	2pcs	Panasonic CGA103450A_BREAKER		
Internal resistance pack	200mΩ	±10%		
Max charge voltage	8.4V			
Charge current	standard	370mA	0°C < T < 45°C	
	rapid	1295mA	10°C < T < 45°C	
Discharge	standard	370mA	-10°C < T < 55°C ^{*1)}	
	max. cont.	1295mA	-10°C < T < 55°C ^{*1)}	
	max. peak	4300mA	-10°C < T < 55°C t < 400ms	
Short circuit current	< 40A	< 600μs		
NTC	10kΩ	Tolerance 5%; B-Value 25°C/85°C = 3980K		
Connector	JST	XHP-3	Pin1	GND
			Pin2	NTC
			Pin3	Bat+
Cable Length	45mm	± 5mm		
Weight	ca. 85g	± 5g		
Watt-hour rating	13.69Wh	acc. to UN38.3 Certificate from cell		

^{*1)} discharge in ambient temperatures lower than 0°C will result in limited performance in current output and usable capacity

Limitations by Safety Unit (SU) @ Ta 25°C

over voltage (per cell)	cut off	4300mV	±50mV
	release	4050mV	±100mV
under voltage (per cell)	cut off	2000mV	±100mV
	release	3000mV	±100mV
Current Limit 1 by SU		3900mA	continuous (U _{pack} > 7.4V)
Current Limit 2 by SU		> 4300mA	t < 10 ms
short circuit protection		≤ 35A	t > 1ms
Power consumption	active	30μA	max.
	power down	2μA	max. (power down modus only after overcurrent event)

Recommended Charger

CC/CV Li Ion 2 cell charger with NTC control