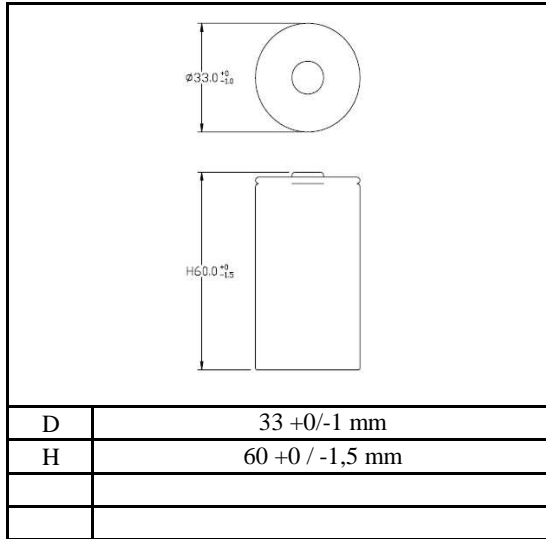




MODEL No: CNH-900D-P-N
NI-MH

Description: 9000mAh SIZE D



Specification

Nominal Capacity		9000 mAh	
Nominal Voltage		1.2 V	
Charge current	Standard	900 mA	
	Fast	2700 mA	
Charge time	Standard	~16 Hrs	
	Fast	~ 4 Hrs	
Ambient Temperature	Charge	Standard	0~+45°C
		Fast	+10~+45°C
	Discharge		-10~+55°C
Storage		-20~+35°C	
Internal Impedance(mΩ) (After Charge)		≤ 10	
Weight		167 g	

